

HYVA[®] CRANE HB 280



MODELS	LIFTING MOMENT	MAX VERTICAL REACH	SLEWING ANGLE	SLEWING TIME	MAX WORKING HEEL	WORKING PRESSURE	CRANE WEIGHT WITHOUT STABILIZERS	WEIGHT OF STABILIZERS	OIL TANK CAPACITY	OIL FLOW	DIMENSIONS
	tm	m	°	s/180°	°	bar	kg	kg	l	l/min	mm B x h x S
HB280 E1	25,8	HYD. 9,8 MAN. 17,1	400	20	4	305	2630	440	160	50	2500x2320x1115
HB280 E2	-	11,6 17,1	400	20	4	305	2810		160	50	2500x2320x1115
HB280 E3	-	13,4 19,1	400	20	4	305	2950		160	50	2500x2320x1115
HB280 E4	-	15,3 20,8	400	20	4	305	3110		160	50	2500x2320x1115
HB280 E5	-	17,3 20,8	400	20	4	305	3250		160	50	2500x2320x1115
HB280 E6	-	19,3 20,8	400	20	4	305	3345		160	50	2540x2320x1200
HB280 E3J3	-	20,2 21,9	400	25	4	295	3500	160	50	2500x2430x1300	
HB280 E4J3	-	22,1 23,8	400	25	4	295	3650	160	50	2500x2445x1300	

ACCESSORIES

Supplementary elements activations (1)
Winch
Manual extensions
Pivoting stabilizer legs
Oil cooler
Cross controls
Operator Full Protection (CE)

ACCESSOIRES

Activation éléments supplémentaires (1)
Treuil
Rallonges mécaniques
Béquilles pivotantes
Refroidisseur huile
Commandes croisées
Operator Full Protection (CE)

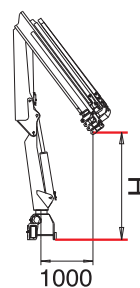
ZUBEHOERE

Zusätzliche Steuerelemente (1)
Seilwinde
Mechanische Ausleger
Gelenktige Abstützbeine
Ölkühler
Kreuzen Schaltstangen
Operator Full Protection (CE)

ACCESORIOS

Ativação de elementos suplementares (1)
Guincho de cabo
Extensões mecânicas
Estabilizadores articulados
Radiador para refrigeração de óleo
Comandos cruzados
Operator Full Protection (CE)

(1) No E6 - E3 J3 - E4 J3



HB 280 E1 = 2310
HB 280 E2 = 2310
HB 280 E3 = 2310
HB 280 E4 = 2210
HB 280 E5 = 2130
HB 280 E6 = 2070



Hyva Holding B.V.
Antonie van Leeuwenhoekweg 37
2408 AK Alphen aan den Rijn
The Netherlands
Telephone: +31 (0)172 - 42 35 55
Telefax: +31 (0)172 - 42 08 80
info@hyva.com
www.hyva.com
www.hyvacrane.com



DEALER

Data, descriptions and illustrations pertain only and uniquely to models sold at the time of printing of this brochure. After the date of printing, this information is purely indicative and not binding upon HYVA. Future modifications are solely at the discretion of HYVA and are always in compliance with applicable and pertinent safety standards. To obtain updated data, descriptions and illustrations, contact the manufacturer or your reseller. Cranes manufactured and/or marketed by HYVA - Les données, les descriptions et les illustrations se rapportent seulement et exclusivement aux modèles commercialisés à la date d'impression de ce dépliant. Après la date d'impression, ces informations sont simplement indicatives et n'engagent pas HYVA. D'éventuelles modifications sont à la discrétion d'HYVA et toujours dans l'observance des normes de sécurité pertinentes et applicables. Pour obtenir les données, les descriptions et les illustrations actualisées, s'adresser au fabricant ou au revendeur. Grues produites et/ou vendues par HYVA - Daten, Beschreibungen und Abbildungen beziehen sich ausschließlich auf die zum Zeitpunkt des Drucks dieser Broschüre vertriebenen Modelle. Nach diesem Datum verstehen sich diese Informationen als rein richtungweisend und sind in keinem Fall für HYVA verbindlich. HYVA behält sich vor, nach eigenem Ermessen und in jedem Fall unter Berücksichtigung der zugehörigen und geltenden Sicherheitsvorschriften Änderungen vorzunehmen. Bitte wenden Sie sich für aktuelle Daten, Beschreibungen und Abbildungen an den Hersteller oder Händler. Die Krane werden von HYVA hergestellt und/oder vermarktet. - Os dados, descrições e ilustrações referem-se única e exclusivamente aos modelos comercializados à data da impressão deste folheto. Após a data da impressão, estas informações são meramente indicativas pelas quais a HYVA não se responsabiliza. Eventuais alterações ficam ao critério da HYVA e estão sempre em conformidade com as normas de segurança pertinentes e aplicáveis. Para obter dados, descrições e ilustrações atualizadas, contacte o fabricante ou revendedor. Guindaste produzidos e/ou comercializados pela HYVA.

TRUCK-MOUNTED CRANES HB 280



HYVA[®] CRANE HB 280



- Load limiting device
- Hexagonal section extensions
- Independent extension cylinders
- Outriggers with hydraulic extension
- Flanged valves
- Assembly kit
- Designed in accordance with: EN12999-DIN15018
- Fatigue test classification: B3
- Oil tank
- Fittings SAE-JIC
- Dual controls (Not with radio remote control)
- Sliding pads on telescopic extensions
- Self-lubricating bushings
- Fixed stabilizer cylinders
- Mechanical rotation limitation (CE)



- Limiteur de moment
- Extensions à section hexagonale
- Vérins hydrauliques à sortie indépendante
- Béquilles avec ouverture hydraulique
- Vannes bridées
- Kit de brides de fixation
- Projet en accords aux normes: EN12999-DIN15018
- Essai de fatigue avec classification: B3
- Réservoir huile
- Tujauterie SAE-JIC
- Commandes bilatérales (Non avec radiocommande)
- Patins de coulissement sur les éléments télescopiques
- Douilles autolubrifiantes
- Vérins stabilisateurs fixes
- Limitation mécanique de la rotation (CE)



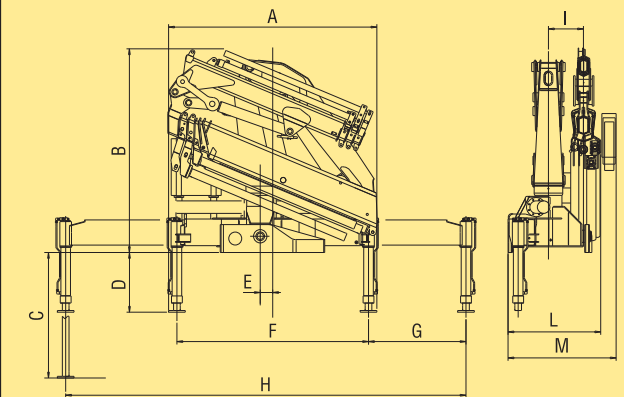
- Momentbegrenzer
- Sechskantige Ausschübe
- Unabhängige Auszugszylinder
- Hydraulisch ausfahrbare Abstützungen
- Ventile mit Flansch
- Befestigungsteile
- Berechnungsnorm nach EN12999-DIN15018
- Ermüdungstest in Klasse: B3
- Ölbehälter
- Anschlüsse SAE-JIC
- Beidseitige Kransteuerungen (Nicht mit Funkfernsteuerung)
- Gleitschuhe auf den Ausschüben
- Selbstschmierende Buchsen
- Feste Abstützungen
- Mechanischer Schwenkbegrenzer (CE)



- Válvula limitadora de momento de carga
- Extensões sextavadas
- Cilindros de extensão independentes
- Estabilizadores estendidos hidráulicamente
- Válvulas flangeadas
- Kit de montagem
- Norma do projeto: EN12999-DIN15018
- Tipo de ensaio de fadiga: B3
- Reservatório de óleo
- Conexões SAE-JIC
- Comandos bilaterais (não com comando por rádio)
- Calços deslizantes em extensões telescópicas
- Buchas auto-lubrificantes
- Estabilizadores fixos
- Limitador mecânico de giro (CE)

Model	kg	m	kg	m	kg	m	kg	m	kg	m	kg	m	kg	m	kg	m	kg	m
HB280 E1	25820	9785**	6005	4245	3055	2300	1750	1375	1,00	2,55	4,30	6,07	7,93	9,82	11,82	13,90		
HB280 E2	25430	9685**	5900	4065	3055	2300	1750	1375	1,00	2,55	4,31	6,08	7,93	9,82	11,81	13,87		
HB280 E3	24780	9530**	5750	3900	2905	2300	1750	1375	1,00	2,55	4,31	6,08	7,93	9,83	11,82	13,88	15,95	
HB280 E4	24070	9325**	5470	3685	2710	2120	1750	1375	1,00	2,55	4,40	6,17	8,02	9,92	11,82	13,88	15,95	17,75
HB280 E5	23650	9175**	5275	3545	2570	1995	1620	1365	1,00	2,55	4,48	6,25	8,10	10,00	11,90	13,88	15,95	17,75
HB280 E6	23650	9125**	5210	3470	2510	1925	1560	1315	1,00	2,55	4,54	6,31	8,16	10,06	11,96	13,94	15,92	17,81
HB280 E3J3																		
HB280 E4J3																		

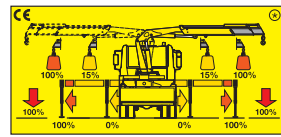
*) Theoretical lifting capacity
**) Fixed hook capacity



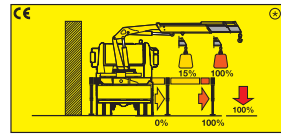
HB280	E1	E2	E3	E4	E5	E6	E3-J3	E4-J3
A	2500	2500	2500	2500	2500	2540	2500	2500
B	2320	2320	2320	2320	2320	2320	2430	2445
C	1505	1505	1505	1505	1505	1505	1505	1505
D	715	715	715	715	715	715	715	715
E	150	150	150	150	150	150	150	150
F	2300	2300	2300	2300	2300	2300	2300	2300
G	1600	1600	1600	1600	1600	1600	1600	1600
H	5500	5500	5500	5500	5500	5500	5500	5500
I	420	420	420	420	420	420	420	420
L	1115	1115	1115	1115	1115	1200	1300	1300
M	1280	1280	1280	1280	1280	-	1300	1300
	optional	optional	optional	optional	optional		std	std

Stability control systems (CE)

HXL System

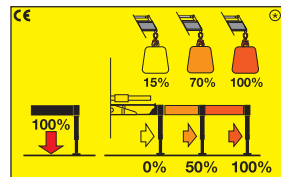


The TCU checks the positions of the stabilizers beams, monitoring for two possible positions: beam fully open, beam not fully open. Depending on the position of the beams and the stabilizers, the crane's lifting capacity changes according to the setting made by the installer. This allows the operator to use the crane even with a beam partially or fully retracted without having stability problems.

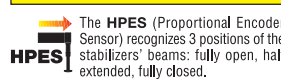


Optional HRCS
The Rotation Control Sensor constantly checks the slewing position of the crane and limits the lifting capacity depending on the beams' and the stabilizers' positions.

H2XL System



The TCU checks the positions of the stabilizers and divides the working area into 4 slewing sectors: over the cabin, right side, left side and the rear of the vehicle. Depending on the position of the beams and the stabilizers, the crane's lifting capacity changes according to the settings made by the installer. This allows the operator to use the crane even with a beam partially or fully retracted without having stability problems.



HPES The HPES (Proportional Encoder Sensor) recognizes 3 positions of the stabilizers' beams: fully open, half extended, fully closed.



HRCS The HRCS (Rotation Control Sensor) recognizes 4 slewing sectors: over the cabin, right side, left side, and the rear of the vehicle.

The CAN-BUS radio-control allows the operator to know the positions of the stabilizers and the loading conditions of the crane.

With manual opening stabilizers, the H2XL System only recognizes completely open or completely closed beam positions.

*) The percentages present in the pictures are merely examples and they have no bearing on the crane's real lifting capacities. The crane's real lifting capacities will depend on truck's stability.

HB 280 X



Only CE Version

Pressure compensated control valve: SAUER DANFOSS PVG32

- Multifunction remote control
- Protected against radio interference
- Move around the truck freely

LCS Lift Control System

Lift Control System increases the capacity of the crane up to 10% by reducing the speed when the crane is near its maximum lifting capacity.