

**HB SERIES,
ARTICULATED CRANES BUILT FOR LONG LIFE SERVICE AND
SUITABLE FOR A WIDE RANGE OF TASKS**



**THE MOST VERSATILE AND USER-FRIENDLY CRANE,
SIMPLE, EFFICIENT AND ROBUST**

HB 60



ACCESSORIES

- Outriggers with hydraulic extension
- Supplementary elements activations
- Winch
- Manual extensions
- Pivoting stabilizer legs
- Extra extensible stabilizers

CRANE CONTROL SYSTEM

A-CLASS

- N.2 step stabilizer beams
- N.1 sector on slewing
- Mono-area pressure limit

E-CLASS

- N.2 step stabilizer beams
- Proportional slewing control
- Truck side independent

HB 60 X



- Compact dimensions and reduced weight
- Proportional speed control of any single movement
- Stabilizer control by radio

HUMAN MACHINE INTERFACE

BRIGHT LED PANEL

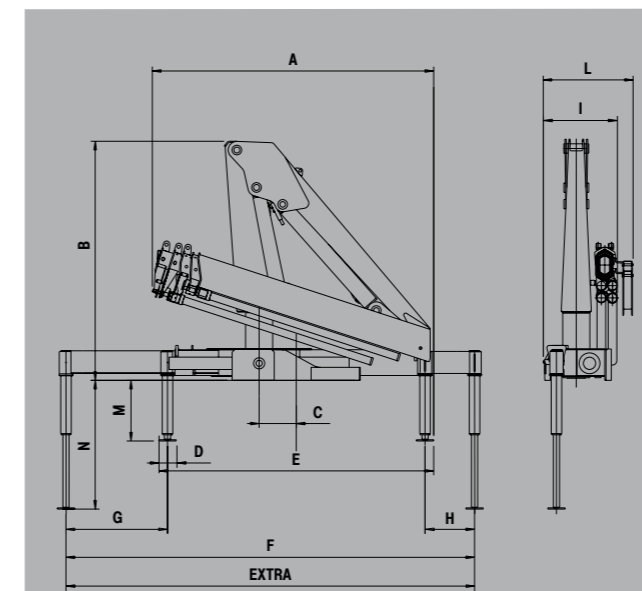
Available for the entire range till 28Tm. Highly user-friendly design, with buttons and LED lights. Dedicated led lights to identify the position of each stabilizer. New 3-digits display has been added to inform the operator about alarms and errors.

INTELLIGENT DISPLAY 4.3"

Up to 6 languages available. Full color new display. Offers more information and data compared to the LED Panel. The graphic design and intuitive menu guide the operator and service technician to all the functionality information, statistics and performances.

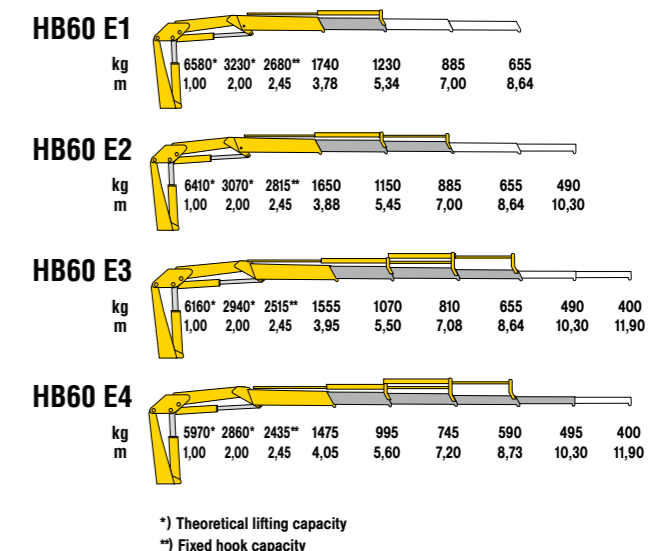
TECHNICAL INFORMATION HB 60

DIMENSIONS (MM)



	E1	E2	E3	E4
A	2020	2100	2220	2250
B	1980	1980	1980	1980
C	300	300	300	300
D	160	160	160	160
E	2240	2240	2240	2240
F	3300	3300	3300	3300
G	820	820	820	820
H	400	400	400	400
I	600	600	600	600
L	725 OPT.	725 OPT.	725 OPT.	725 OPT.
M	502	502	502	502
N	1052	1052	1052	1052
EXTRA	4430	4430	4430	4430

LOAD DIAGRAMS



STANDARD FEATURES

- Designed in accordance with: **EN12999:2020 + EN13849**
- Designed class: **HC1 - HD4**
- Load limiting device (CE)
- Hexagonal section extensions
- Independent extension cylinders
- Flanged valves
- Assembly kit
- Oil tank
- Fixed stabilizer cylinders
- Dual controls (No with radio remote control)
- Light indicator for correct stabilizer stowing (CE)
- Mechanical rotation limitation (CE)
- A Class - Crane Control System (CE)
- LED panel - Human Machine Interface (CE)

TECHNICAL SPECIFICATIONS

		HB 60 E1	HB 60 E2	HB 60 E3	HB 60 E4
Lifting moment	tm	6,58	6,41	6,16	5,97
Max. vertical reach	m	8,34	9,81	11,34	12,90
Slewing angle	°	387	387	387	387
Slewing time	s/180°	15	15	15	15
Max. working heel	°	4	4	4	4
Working pressure	bar	245	245	245	245
Oil tank capacity	l	35	35	35	35
Max. oil flow	l/m	20	20	20	20
Standard crane weight (without stabilizers)	kg	800	870	930	980

110 countries
+3,500 employees
20,000 customers
+30 subsidiaries
14 production facilities



Hyva is a leading provider of innovative and highly efficient transport solutions for commercial vehicles used in transport, construction, mining, materials handling and environmental service industries.

Founded in 1979 in the Netherlands, the company has a global presence with more than 30 wholly owned subsidiaries, extraordinary service coverage and 14 manufacturing facilities in Brazil, China, Europe and India.

For more information on Hyva, please visit www.hyva.com

or follow us on:



Hyva Holding B.V.
Antonie van Leeuwenhoekweg 37
2408 AK Alphen aan den Rijn
The Netherlands
Telephone: +31 (0)172 - 42 35 55
info@hyva.com
www.hyva.com



**Quality and
environmental certified**

DEALER STAMP